



Vertical Filter Vessels

VF Series

STANDARD DESIGN FEATURES

- 150 psi welded steel ASME Code construction.
- Choice of filter efficiency from 0.5 to 75 microns.
- Choice of pleated or depth type media.
- Epoxy coated interior, primed exterior.
- Buna-N O-ring cover seals.

RECOMMENDED OPTIONAL ACCESSORIES

- Automatic Air Eliminator
- Pressure Relief Valve
- Differential Pressure Gauge
- Drain Valve(s)
- Sampling Probes
- ASME Code Stamp

TYPICAL APPLICATIONS

Jet Fuels Diesel Fuels Gasoline

Consult our cartridge data sheets to select the efficiency and type of cartridge that is right for your application – PLF Series (pleated surface type filtration), FG Series (fiberglass depth type filtration), or **Aquacon®** Series (dehydration and filtration).

Filter vessels VF814 through VF844, such as the VF829 shown at right, have through-bolt covers, NPT connections, and include fittings for drain, pressure gauge and air vent.

VF1614 and larger vessels, such as the VF2829 shown at top right, are provided with swing bolt closure, RF flange connections and fittings for pressure gauge, air eliminator, pressure relief valve and drain valve.



VF2829



VF829

Clearance Required to Remove Elements

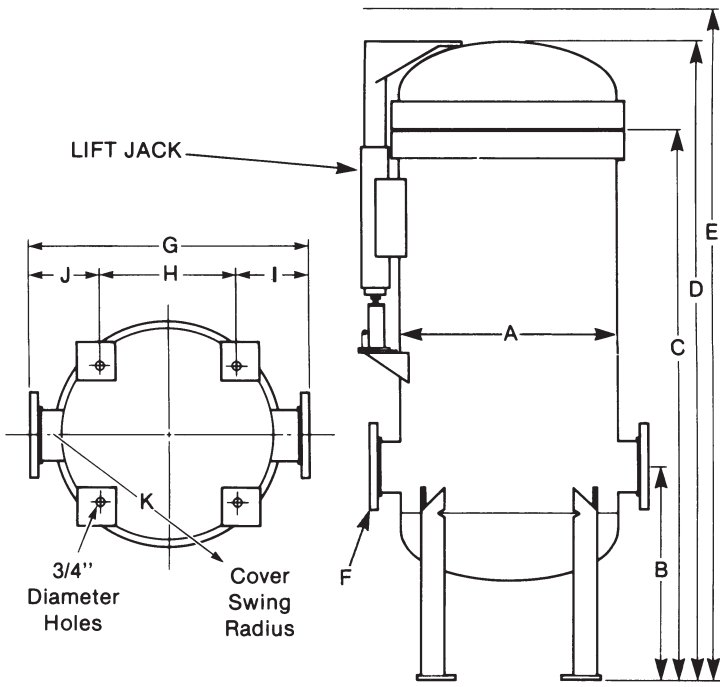


Figure 1

Clearance Required to Remove Elements

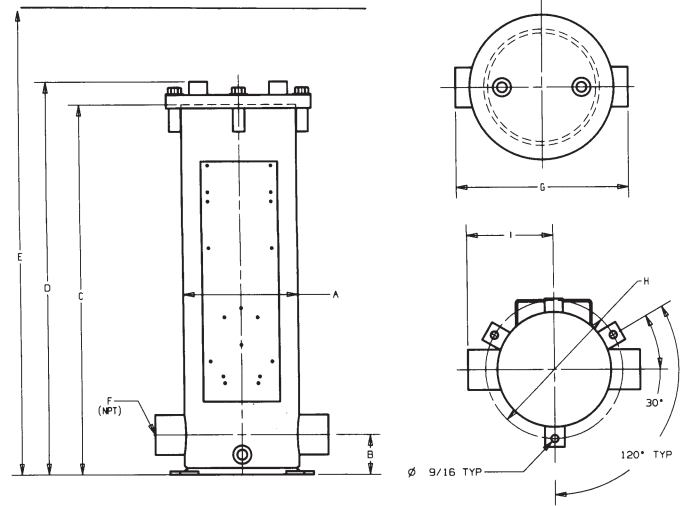



Figure 2

| Vessel Model Number | Rated Flow USGPM | | 614 Series Elements | | Fig. No. | Dimensions in Inches | | | | | | | | | | Weight with Skid, lbs. | Volume U.S. Gallons | |
|---------------------|------------------|----------|---------------------|---------------|----------|-------------------------------|--------------------------------|--------------------------------|--------------------------------|--------------------------------|----|--------------------------------|--------------------------------|--------------------------------|--------------------------------|------------------------|---------------------|-----|
| | Jet Fuel | Gasoline | Total Qty. | No. of Stacks | | A | B | C | D | E | F | G | H | I | J | | | K |
| VF814 | 67 | 68 | 1 | 1 | 2 | 8 ⁵ / ₈ | 3 | 27 ³ / ₄ | 29 ¹ / ₂ | 43 | 2 | 13 | 10 ³ / ₈ | 6 ¹ / ₂ | — | — | 225 | 5 |
| VF829 | 133 | 136 | 2 | 1 | 2 | 8 ⁵ / ₈ | 3 | 41 ³ / ₄ | 43 ¹ / ₂ | 58 | 2 | 13 | 10 ³ / ₈ | 6 ¹ / ₂ | — | — | 265 | 8 |
| VF844 | 200 | 204 | 3 | 1 | 2 | 8 ⁵ / ₈ | 3 | 55 ³ / ₄ | 57 ¹ / ₂ | 72 | 2 | 13 | 10 ³ / ₈ | 6 ¹ / ₂ | — | — | 305 | 11 |
| VF1614 | 267 | 272 | 4 | 4 | 1 | 16 | 15 | 37 ³ / ₈ | 40 ³ / ₈ | 67 | 4 | 24 ¹ / ₄ | 9 | 7 ³ / ₈ | — | — | 500 | 22 |
| VF1629 | 533 | 544 | 8 | 4 | 1 | 16 | 15 | 52 ¹ / ₈ | 55 ³ / ₈ | 82 | 4 | 24 ¹ / ₄ | 9 | 7 ³ / ₈ | — | — | 560 | 35 |
| VF1644 | 800 | 816 | 12 | 4 | 1 | 16 | 15 | 66 ³ / ₄ | 69 ³ / ₄ | 84 | 4 | 24 ¹ / ₄ | 9 | 7 ³ / ₈ | — | — | 620 | 48 |
| VF2029 | 800 | 816 | 12 | 6 | 1 | 20 | 19 ¹ / ₂ | 56 ¹ / ₂ | 62 | 86 | 6 | 28 | 13 | 7 ¹ / ₂ | 7 ¹ / ₂ | 26 | 1000 | 67 |
| VF2044 | 1200 | 1224 | 18 | 6 | 1 | 20 | 19 ¹ / ₂ | 71 | 76 ³ / ₈ | 113 | 6 | 28 | 13 | 7 ¹ / ₂ | 7 ¹ / ₂ | 26 | 1100 | 88 |
| VF2829 | 1600 | 1632 | 24 | 12 | 1 | 28 | 24 | 48 ¹ / ₂ | 64 ³ / ₄ | 73 | 8 | 36 | 18 | 9 | 9 | 35 | 1500 | 125 |
| VF2844 | 2400 | 2448 | 36 | 12 | 1 | 28 | 24 | 63 ¹ / ₂ | 79 ³ / ₄ | 87 ¹ / ₂ | 8 | 36 | 18 | 9 | 9 | 35 | 1600 | 165 |
| VF3644 | 3600 | 3672 | 54 | 18 | 1 | 36 | 26 | 63 ³ / ₈ | 77 | 107 | 10 | 48 | 23 | 12 ¹ / ₂ | 12 ¹ / ₂ | 43 | 2250 | 288 |
| VF4244 | 5400 | 5508 | 81 | 27 | 1 | 42 | 28 | 66 | 86 ³ / ₈ | 112 | 12 | 54 | 28 | 13 | 13 | 50 | 3800 | 400 |

- Flow rates are for FO-614PLF series pleated paper cartridges. For higher viscosity fluids, consult our cartridge data sheets or your Velcon Representative.
- VF Series Filters are designed to accommodate our standard 6 in. O.D., 3¹/₂ in. I.D., 14¹/₂ in. long cartridges that are stacked one, two, or three high. Many cartridges are available in longer lengths that eliminate stacking. For example, a 44 inch long FO-644PLF1M could be used in place of three 14¹/₂ inch long cartridges. This makes for easier and less expensive changeouts.
- A number of threaded base filter cartridges (e.g. FO-644PLF5TB) are available, which allow for easier cartridge changeout and removal of particulate matter from the deckplates. See data sheet #1549. The threaded base cartridges mount on the 6000T Adapters.
- Dimensions shown are for estimating purposes only. For exact dimensions, obtain certified drawing.
- VF-16 and VF-20 Series vessels have flat covers. VF-16 Series vessels do not have hydraulic lift jacks.
- Available **Aquacon** Cartridges are AC-6XX05 and AD-6XX25 where XX represents cartridge lengths of 14, 29, and 44 inches.
- In applications where increased dirt contamination is present, it may be desirable to over-size filtration equipment. Contact the factory for over-sizing recommendations.



Velcon products are sold and serviced by a world-wide representative network. To order, contact Headquarters or your LOCAL REPRESENTATIVE:

COMPANY HEADQUARTERS:
 Velcon Filters, Inc.
 1210 Garden of the Gods Road
 Colorado Springs, CO 80907-3410
 Phone: 1.800.531.0180 / 1.719.531.5855
 Fax: 719.531.5690
 e-mail: vfsales@velcon.com
 www.velcon.com

MANUFACTURING PLANTS LOCATED AT:
 Colorado Springs, Colorado
 Sylacauga, Alabama

OVERSEAS AFFILIATES:
 Frankfurt/M., Germany & Singapore

Liquid Filtration and Separation Specialists

Due to Velcon Filters' continuing product improvement, drawings, specifications and pictures are subject to change without notice.