



# Horizontal *Aquacon*<sup>®</sup> Vessels

## API/IP 1583 4th Edition Monitor Specification Qualified HA Series

### Horizontal *Aquacon*<sup>®</sup> for Aircraft Fueling Trucks, Hydrant Carts, and Cabinets

#### FEATURES

- Positive Protection Against Water and Dirt
- Compact Design
- ASME Code Qualification
- Field Proven Performance

#### DESCRIPTION

Compact HA Series *Aquacon*<sup>®</sup> Vessels comply fully with API/IP Specification 1583 4th Edition for Aviation Fuel Filter Monitors with Absorbent Type Elements. Units are designed to accept the latest "L" series cartridges.



#### SPECIFICATIONS

- 150 PSI ASME Code Construction
- 220 psid (15 bar) Hydrotest Pressure for Deckplate
- Carbon Steel Construction
- RF Flanged or Victaulic Connections
- Swing Bolted Closure
- Buna-N O-Ring Cover Seal
- Mil-C-4556 Epoxy Coated Interior, Primed Exterior

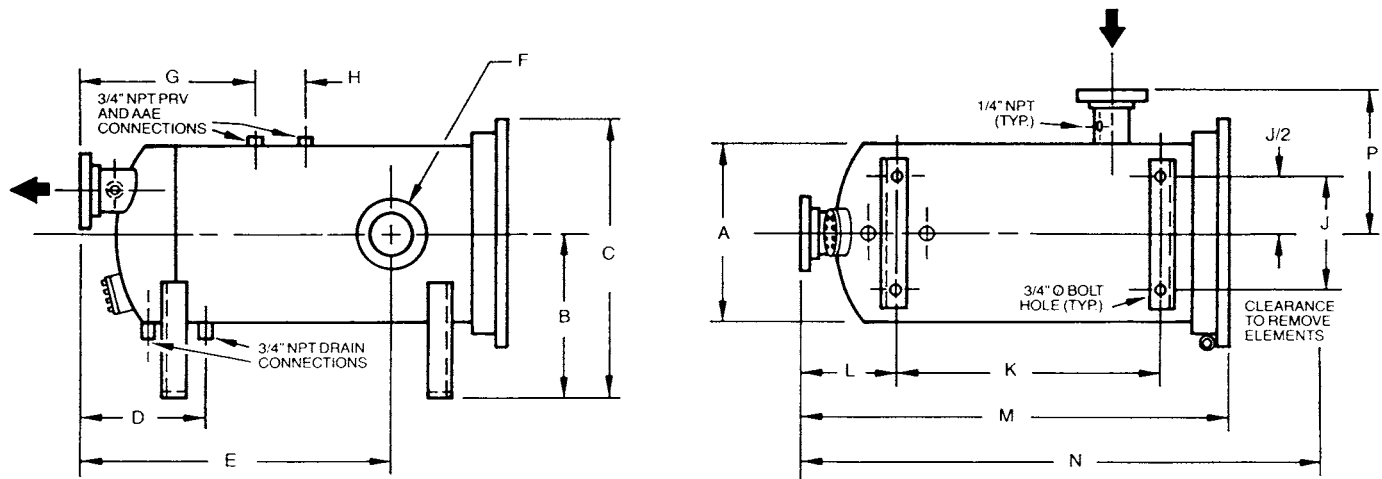
#### RECOMMENDED ACCESSORIES

- Automatic Air Eliminator
- Pressure Relief Valve
- Manual Drain Valve(s)
- Differential Pressure Gauge
- Sampling Probes
- ASME Code Stamp


#### \*\*\*\*\*CAUTION\*\*\*\*\*

In fuels containing anti-icing additive (Di-EGME, FSII, Prist<sup>®</sup>), stagnant water bottoms can absorb large amounts of the anti-icing additive. This water/FSII solution can disarm water absorbing cartridges allowing water to pass downstream. Daily draining of the *Aquacon*<sup>®</sup> vessel and of water bottoms upstream of the cartridges is IMPERATIVE. Also, change-out cartridges when differential pressure reaches 15 psid.

VESSEL MODEL NUMBER	FLOW RATE		CARTRIDGES		WEIGHT W/SKID (LBS)	VOLUME U.S. GALS
	U.S. GPM	L/M	MODEL NO.	QTY		
HA-829M	115	435	ACO-62901L	1	265	8
HA-844M	173	654	ACO-64401L	1	300	12
HA-1814M	232	878	ACO-61401L	4	550	29
HA-1829M	460	1,741	ACO-62901L	4	600	44
HA-2229M	805	2,611	ACO-62901L	7	720	56
HA-2244M	1,211	3,928	ACO-64401L	7	800	75



VESSEL MODEL NUMBER	DIMENSIONS IN INCHES													
	A	B	C	D	E	F	G	H	J	K	L	M	N	P
HA-829M	8 <sup>5</sup> / <sub>8</sub>	8	13 <sup>7</sup> / <sub>16</sub>	11	38	2	7 <sup>9</sup> / <sub>16</sub>	9 <sup>15</sup> / <sub>16</sub>	5 <sup>1</sup> / <sub>2</sub>	30	8	43	74	9
HA-844M	8 <sup>5</sup> / <sub>8</sub>	8	13 <sup>7</sup> / <sub>16</sub>	11	56 <sup>5</sup> / <sub>8</sub>	2	7 <sup>9</sup> / <sub>16</sub>	9 <sup>15</sup> / <sub>16</sub>	5 <sup>1</sup> / <sub>2</sub>	48	8	62	108	9
HA-1814M	18	12	25	19	19 <sup>13</sup> / <sub>16</sub>	4	19	10	10 <sup>3</sup> / <sub>4</sub>	9	12 <sup>1</sup> / <sub>2</sub>	31 <sup>1</sup> / <sub>2</sub>	43	15
HA-1829M	18	12	25	19	33 <sup>13</sup> / <sub>16</sub>	4	19	10	10 <sup>3</sup> / <sub>4</sub>	23	12 <sup>1</sup> / <sub>2</sub>	45 <sup>1</sup> / <sub>2</sub>	73	15
HA-2229M	22	14	28 <sup>1</sup> / <sub>4</sub>	20	32 <sup>3</sup> / <sub>4</sub>	6	20	10	10 <sup>3</sup> / <sub>4</sub>	22	14	46 <sup>3</sup> / <sub>8</sub>	74	17
HA-2244M	22	14	28 <sup>1</sup> / <sub>4</sub>	20	48 <sup>3</sup> / <sub>4</sub>	6	20	10	10 <sup>3</sup> / <sub>4</sub>	35	14	60 <sup>3</sup> / <sub>8</sub>	103	17



Velcon products are sold and serviced by a world-wide representative network. To order, contact Headquarters or your **LOCAL REPRESENTATIVE**:

**COMPANY HEADQUARTERS:**  
 Velcon Filters, Inc.  
 1210 Garden of the Gods Road  
 Colorado Springs, CO 80907-3410  
 Phone: 1.800.531.0180 / 1.719.531.5855  
 Fax: 719.531.5690  
 e-mail: vfsales@velcon.com  
 www.velcon.com

**MANUFACTURING PLANTS LOCATED AT:**  
 Colorado Springs, Colorado  
 Sylacauga, Alabama

**OVERSEAS AFFILIATES:**  
 Frankfurt/M., Germany & Singapore

**Liquid Filtration  
 and Separation  
 Specialists**

Due to Velcon Filters' continuing product improvement, drawings, specifications and pictures are subject to change without notice.