



Horizontal Filter/Separators

HV Series

For Diesel Applications

Compact Horizontal Filter/Separator Vessels for Fixed Installations Offers Significant Operating Advantages Over Vertical Designs

EASIER CARTRIDGE CHANGE

The Velcon HV Series horizontal filter/separator design provides more convenient access to the cartridges than the vertical design. These units incorporate one piece threaded base coalescer cartridges for easy, reliable installation and reusable one piece Teflon[®] coated screen separators.

EFFLUENT CLEANLINESS

A horizontal filter/separator must be drained to change the cartridges. This prevents the possibility of getting dirt in the effluent that can occur if the operator does not fully drain a vertical vessel when changing cartridges. The separator mounting holes on a horizontal vessel are in a vertical plane at the top of the vessel so it is nearly impossible to get dirt in the effluent when cartridges are being changed.

LOWER COST

A horizontal filter/separator will often cost less than a vertical filter/separator of the same rated flow, for the same specifications.

SPECIFICATIONS

- 150 psi ASME Code Construction
- RF Flanged Connections
- Swing Bolted Closure
- Buna-N O-ring Cover Seal
- MIL-PRF-4556 Epoxy Coated Interior, Primed Exterior



RECOMMENDED ACCESSORIES

The following accessories are recommended for safe effective operation at all installations:

- Automatic Air Vent
- Pressure Relief Valve
- Differential Pressure Gauge
- Sampling Probes
- Interface Control (ballast type float recommended)
- Water Slug Control Valve
- Manual Drain Valve
- ASME Code Stamp
- API Nameplate

OTHER ACCESSORIES AVAILABLE

- Sump Heater
- Sight Glass

Compact Horizontal Filter/Separator Vessels for Fixed Installations

DIMENSIONAL DATA

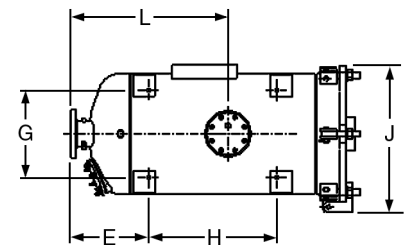
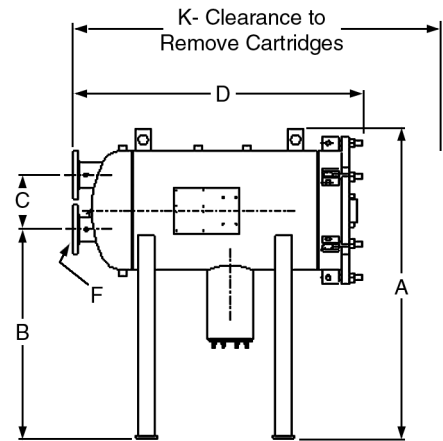
Vessel Model No.	Dimensions (Inches)*											Weight With Skid (lbs)	Volume (US gal)
	A	B	C	D	E	F	G	H	J	K	L		
HV1422	36 ³ / ₄	25 ¹ / ₈	8 ¹ / ₈	36	9 ³ / ₈	2	9	18	18 ¹ / ₂	56	21 ³ / ₈	390	20
HV1622	37 ⁷ / ₈	23 ³ / ₈	10	37	9 ³ / ₈	4	13	16	20 ⁵ / ₈	58	17 ¹ / ₂	435	28
HV1633	37 ⁷ / ₈	23 ³ / ₈	10	47	9 ³ / ₈	4	13	27	20 ⁵ / ₈	80	28 ⁵ / ₈	475	37
HV2233	54	38 ¹ / ₂	10	53 ¹ / ₄	14 ⁷ / ₁₆	4	16	23 ¹ / ₂	27 ¹ / ₁₆	85	29 ³ / ₁₆	800	73
HV2244	54	38 ¹ / ₂	10	64 ³ / ₄	14 ⁷ / ₁₆	4	16	29 ¹ / ₂	27 ¹ / ₁₆	105	32 ⁷ / ₈	860	90
HV2838	56 ³ / ₄	34 ¹ / ₄	16 ³ / ₄	57	15	6	22	22	34 ¹ / ₂	83	27	1050	130
HV2844	56 ³ / ₄	34 ¹ / ₄	16 ³ / ₄	63	16	6	22	22 ¹ / ₂	34 ¹ / ₂	94	34 ³ / ₈	1100	145
HV2856	56 ³ / ₄	34 ¹ / ₄	16 ³ / ₄	75	15	6	22	42	34 ¹ / ₂	122	45	1200	176
HV3456	66 ³ / ₈	38 ³ / ₈	20	81 ³ / ₄	18 ⁷ / ₁₆	6	28	38 ¹ / ₄	39 ³ / ₄	124	37 ¹ / ₂	1800	290

Notes: HV-14, -16 and -22 series filter/separators have flat covers while the HV-28, and -34 series have domed covers.
HV-14 and -16 series filter/separators have flat fixed heads while HV-22, -28 and -34 series have domed fixed heads.


CARTRIDGE SELECTION

Vessel Model No.	Diesel Flow Rate USGPM ⁽¹⁾	Coalescer Cartridges		Separator Cartridges	
		Qty	Model Number ⁽²⁾	Qty	Model Number
HV1422	65	2	I-6224TB	1	SO-323C
HV1622	95	3	I-6224TB	1	SO-424C
HV1633	150	3	I-6334TB	1	SO-436C
HV2233	200	4	I-6334TB	2	SO-430C
HV2244	270	4	I-6444TB	2	SO-436C
HV2838	400	7	I-6384TB	2	SO-636CM
HV2844	470	7	I-6444TB	2	SO-640CM
HV2856	600	7	I-6564TB	2	SO-648CM
HV3456	860	10	I-6564TB	3	SO-648CM

Notes: (1) Based on fuel with minimum interfacial tension of 36 dynes per centimeter over water.
(2) Rated at 3 microns. Please refer to Data Sheet #1732 for other coalescer micron ratings.



* Dimensions shown are for estimating purposes only. For exact dimensional detail, obtain copy of vessel drawing.



Velcon products are sold and serviced by a world-wide representative network. To order, contact Headquarters or your LOCAL REPRESENTATIVE:

COMPANY HEADQUARTERS:
Velcon Filters, LLC
1210 Garden of the Gods Road
Colorado Springs, CO 80907-3410
Phone: 1.800.531.0180 / 1.719.531.5855
Fax: 719.531.5690
e-mail: vfsales@velcon.com
www.velcon.com

MANUFACTURING PLANTS LOCATED AT:
Colorado Springs, Colorado
Sylacauga, Alabama
Henryetta, Oklahoma

OFFICES AND AFFILIATES IN:
Canada, Germany, Singapore, & Spain



Liquid Filtration and Separation Specialists