



# Replacement Cartridges for Facet SuperFlex™ Housings

## O Series Coalescer and SO Separator Remove Water and Dirt from Diesel, Jet Fuel and Avgas

- Reduces free and emulsified water to less than 50 ppm in diesel, and less than 15 ppm in jet fuel/avgas.
- Used in place of **Aquacon**® cartridges for continuous removal of free water
- For use in the Facet SuperFlex housings in diesel and jet fuel/avgas service

### DESCRIPTION

The Velcon coalescer and separator are installed together in the Facet SuperFlex housing to remove water and dirt from fuel. The fuel passes from the outside to the inside through the coalescer. Dirt is filtered out of the fuel and free/emulsified water in fuel is coalesced. The coalesced water droplets, which form on the inside of the coalescer, are repelled from going further down-stream by the separator. The water settles down to the sump where it is manually drained.



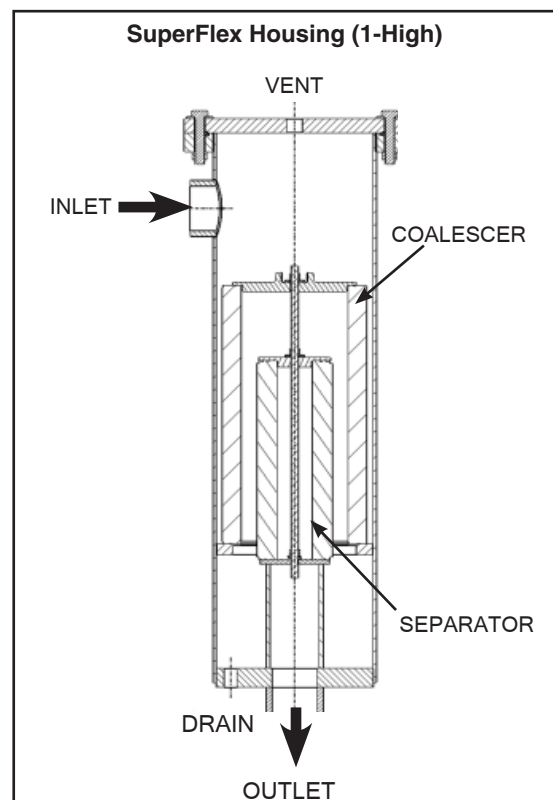
O-81488 Coalescer and SO-412V5 Separator

### SPECIFICATIONS

- Maximum Operating Temperature is 160°F / 71°C
- Flow direction: outside to inside
- pH range: 5 to 9
- Coalescer Changeout at 15 psid

### MAXIMUM RECOMMENDED FLOW RATES

Housing with Cartridges	Jet		Avgas		Diesel	
	gpm	lpm	gpm	lpm	gpm	lpm
1-High	37	140	55	208	25	95
2-High	75	284	100	378	50	189
3-High	112	424	168	636	75	284



# Cartridge Selection Tables for SuperFlex Housings

## Jet Fuel & Avgas Applications

Housing	Cartridge	Model #	Micron Rating	Dimensions (Inches)		
				OAL	ID	OD
1-High	Coalescer	O-81488	0.5	13.6875	5.625	7.625
	Separator	SO-412V5	N/A	11.5	1.875	4.0
2-High	Coalescer	O-82888	0.5	27.5	5.625	7.625
	Separator	SO-422V5	N/A	21.5	1.875	4.0
3-High	Coalescer	O-84288	0.5	41.3125	5.625	7.625
	Separator	SO-432V5	N/A	31.5	1.875	4.0

## Diesel Applications

Housing	Cartridge	Model #	Micron Rating	Dimensions (Inches)		
				OAL	ID	OD
1-High	Coalescer	O-8140	25	13.6875	5.625	7.625
	Coalescer	O-8142	5			
	Coalescer	O-8144	3			
	Coalescer	O-8146	2			
	Separator	SO-410PL	N/A	10.5	1.875	4.0
2-High	Coalescer	O-8280	25	27.5	5.625	7.625
	Coalescer	O-8282	5			
	Coalescer	O-8284	3			
	Coalescer	O-8286	2			
	Separator	SO-422PL	N/A	21.5	1.875	4.0
3-High	Coalescer	O-8420	25	41.3125	5.625	7.625
	Coalescer	O-8422	5			
	Coalescer	O-8424	3			
	Coalescer	O-8426	2			
	Separator	SO-432PL	N/A	31.5	1.875	4.0


## NOTES:

1. If converting from Velcon's **Aquacon**® water absorbing cartridges to coalescer/separator cartridges, please order **Part Number EA35A** end seal plate.
2. Separators used for jet fuel/avgas applications (SO-4xxV5) are Teflon®-coated and can be cleaned and re-used. See data sheet #1242 for cleaning and maintenance instructions.
3. Separators used for diesel applications (SO-4xxPL) are made with pleated media. Changeout at 15 psid.

For information on other types of Velcon filter cartridges that can be used in the SuperFlex Housing, see below and corresponding data sheet as marked.

Type		1-High	2-High	3-High	Data Sheet #
Micronic Filter Cartridges	Pleated Paper	FO-614PLFx*	FO-629PLFxx	FO-644PLFxx	1549
	Fiberglass Depth	FO-614FGx	FO-629FGxx	FO-644FGxx	1550
<b>Aquacon</b> ® Cartridges	Jet Fuel/Avgas	ACO-61401L	ACO-62901L	ACO-64401L	1681
	Gasoline	AC-61405	AC-62905	AC-64405	1582
	Diesel	AD-61425	AD-62925	AD-64425	1655

\*The suffix "x" or "xx" on the part number denotes the micron rating of the cartridge.  
Example: FO-614PLF5 is a 5 micron filter.



Velcon products are sold and serviced by a world-wide representative network. To order, contact Headquarters or your **LOCAL REPRESENTATIVE**:

**COMPANY HEADQUARTERS:**  
 Velcon Filters, Inc.  
 1210 Garden of the Gods Road  
 Colorado Springs, CO 80907-3410  
 Phone: 1.800.531.0180 / 1.719.531.5855  
 Fax: 719.531.5690  
 e-mail: vfsales@velcon.com  
 www.velcon.com

**MANUFACTURING PLANTS LOCATED AT:**  
 Colorado Springs, Colorado  
 Sylacauga, Alabama  
 Henryetta, Oklahoma

**OVERSEAS AFFILIATES:**  
 Frankfurt/M., Germany & Singapore

**Liquid Filtration  
 and Separation  
 Specialists**