



Clean Dry Fuels and Oils with High Performance *Aquacon*® Filter Cartridges

FEATURES

- Free and emulsified water to less than 5 ppm
- 1/2 micrometer particle removal
- Provides protection against “slugs” of water
- Pressure increase signals cartridge change

DESCRIPTION

The VF-62 is a versatile filter housing designed for use with several different high performance *Aquacon* filter cartridges. Refer to the cartridge selection table on the reverse side.

Aquacon cartridges filter out water by chemically locking it into layers of super-absorbent media. Water removal efficiency is not affected by common surfactants or additives. Water capacity is as much as 3 quarts, depending on the flow rate. These cartridges also effectively filter out dirt, rust and other particles. (See caution below, right.)

As a cartridge reaches its water-holding limit, the media expands very rapidly and restricts the flow. The pressure drop will rapidly increase, signaling the need to change cartridges.

The VF-62, with ACO series cartridges installed, will soon become the standard for low flow rate full flow aviation fuel monitor applications.

APPLICATIONS

Jet Fuel	Insulating Oil
Avgas	Hydraulic Oil
Motor Gasoline	Lubricating Oil
Diesel Fuel	Selected Solvents
Biodiesel Fuel	



VF-62 shown with optional quick release hand bolts.

*****CAUTION*****

DO NOT USE WITH PRE-MIXED JET FUEL
CONTAINING ANTI-ICING ADDITIVES.

WARNING: Absorbent-type monitor cartridges will not remove water from fuel containing alcohol-blending agents (commonly called gasohol). For removal of solids, please use Velcon particle removal filters specifically made for gasohol. Consult your Velcon representative.

SPECIFICATIONS

Filter Housing VF-62

- Maximum Operating Pressure: 150 psi
- Material: die cast aluminum head and closure clamp assembly; carbon steel shell with epoxy coated exterior and interior.
- Inlet/Outlet Connection: 1 1/2" NPT
- Closure Seal: Buna-N O-Ring (P/N G-0986)
- Weight: 16 lbs., Shipping Weight: 18 lbs.
- 1/8" brass petcock vent valve and 1/2" drain valve

Cartridges

- Maximum Operating Temperature: 200°F
- Collapse Strength: 75 psi (5 bar)
- pH Range: 5 - 9
- Nominal Filtration Efficiency: 98%

Over Pressure Protection

- When exposed to a high concentration of water, the differential pressure across an **Aquacon**® cartridge will immediately increase. Pressure bypasses or other means to limit the inlet pressure to 75 psi (5 bar) should be installed to prevent the cartridge from collapsing.

FILTER CARTRIDGE SELECTION TABLE

Application	Cartridge	Rating	Typical Free Water in Effluent (Maximum)	Recommended Flow Rates
Jet Fuel (1) Avgas (1)	ACO-52401L	1/2	2 ppm	10-100 USGPM (2)
Motor Gasoline	AC-52405	5	5 ppm	10-100 USGPM
Diesel Fuel	AD-52425	25	50 ppm	30-100 USGPM
Oils	AC-52405	5	See Note (3)	Varies with viscosity See Form #1709
	AD-52425	25		
Solvents	ASL-52401	1	5 ppm	10-100 USGPM
Dirt Removal Only	FO-524PL1/2	1/2	N/A	2-100 USGPM
	FO-524PL05	5		
	FO-524PL25	25		

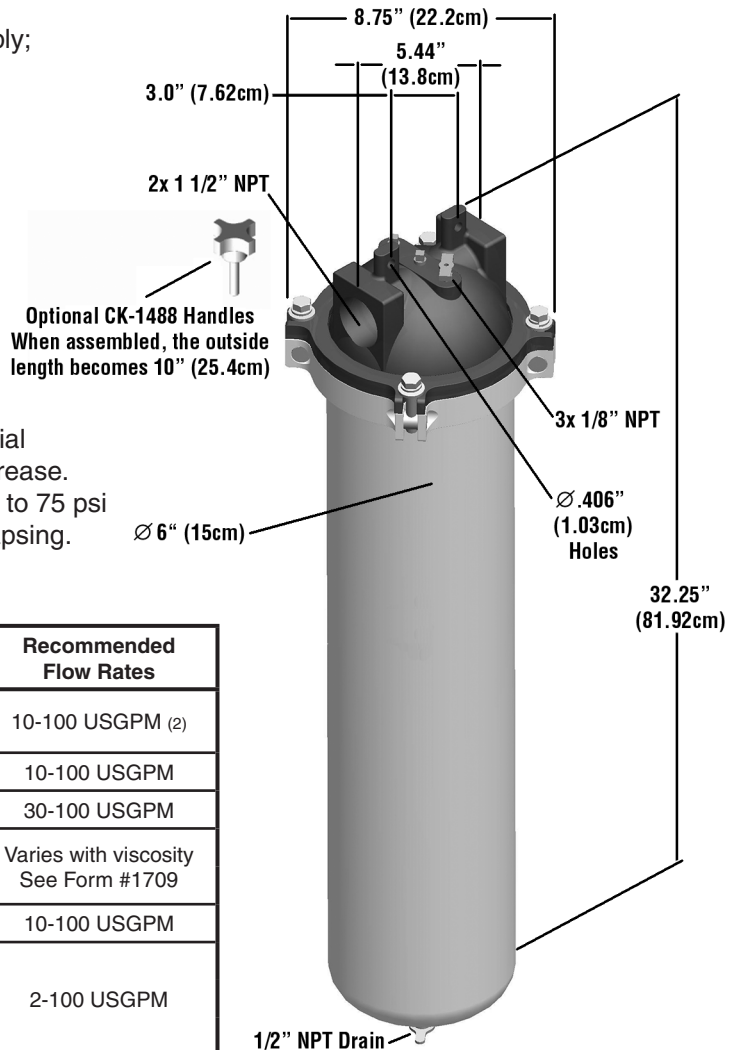
NOTES:

- (1) For Aviation Fuels, if system pressure can exceed 25 psi, and for Diesel Fuel Systems, always install pressure gauge or other means of determining differential pressure.
 (2) For Full Flow Fuel Monitor applications, the flow rate can be increased to 100 USGPM. This will result in a somewhat reduced cartridge life and higher initial pressure drop. In jet fuel with an ACO-52401L installed, the initial pressure drop is 6 psi at 50 USGPM, 10 psi at 75 USGPM.
 (3) For oils and other liquids with viscosity above 100 SUS, more than one pass is typically required through the cartridge. After multiple passes, water levels of 5 ppm can be achieved.

ORDERING INFORMATION

- Specify Model VF-62 Filter Housing
- Unit is supplied with G-0986 Buna-N O-Ring and 1/8" valve and 1/2" drain plug installed. 1/2" petcock drain valve is shipped loose.
- Cartridges are not supplied and must be ordered separately.
- Viton O-Rings (P/N G-0986A) are available but must be ordered separately. They are recommended for gasoline and solvent applications.
- Optional Differential Pressure Gauge Assembly is Part Number 10678 (See Form #1959)

VESSEL DIMENSIONS




RECOMMENDED SPARES

- 1 each G-0986 Buna-N O-Ring
- 6 each Cartridges
- If Viton O-Rings are desired, 2 each G-0986A

OPTIONS

- Part Number 554Y020 is a Carbon Steel 1/2" NPT Ball Valve, with Mounting Nipple
- Part Number CK-1488 quick release hand bolts (set of 4) to replace closure bolts (as shown on page 1)



Velcon products are sold and serviced by a world-wide representative network. To order, contact Headquarters or your **LOCAL REPRESENTATIVE**:

COMPANY HEADQUARTERS:
 Velcon Filters, LLC
 1210 Garden of the Gods Road
 Colorado Springs, CO 80907-3410
 Phone: 1.800.531.0180 / 1.719.531.5855
 Fax: 719.531.5690
 e-mail: vfsales@velcon.com
 www.velcon.com

MANUFACTURING PLANTS LOCATED AT:
 Colorado Springs, Colorado
 Sylacauga, Alabama
 Henryetta, Oklahoma

OFFICES AND AFFILIATES IN:
 Canada, Germany, Singapore, & Spain



**Liquid Filtration
 and Separation
 Specialists**