



Filter Housings

VF166C
VF2012C

Six and Twelve Cartridge Housings

STANDARD FEATURES

- ASME Code Design
- Carbon Steel Construction
- 150 psi operating pressure, 225 psi test
- O-Ring closure
- Primed exterior, oil coated interior
- Positive seal tie-rod cartridge mounting
- Swing bolt lid closure
- Six types of cartridge media available
- Lid lifting mechanism
- 200°F Design temperature

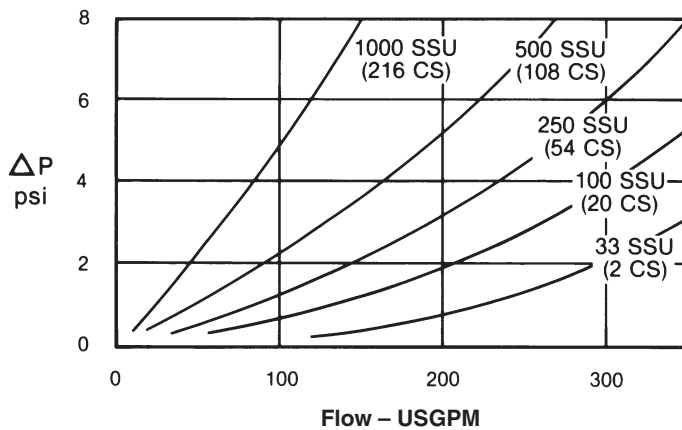
APPLICATIONS

Gasoline	Lube Oils
Cooling Water	Cutting Oils
Coolants	Gear Oil
Solvents	Hydraulic Oil
Kerosene	Quench Oil
Diesel Fuel	Insulating Oil
Biodiesel Fuel	

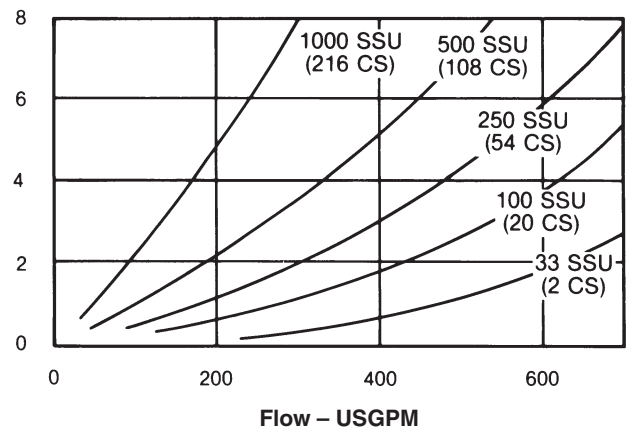


VF2012C-150

PRESSURE DROP CHARACTERISTICS



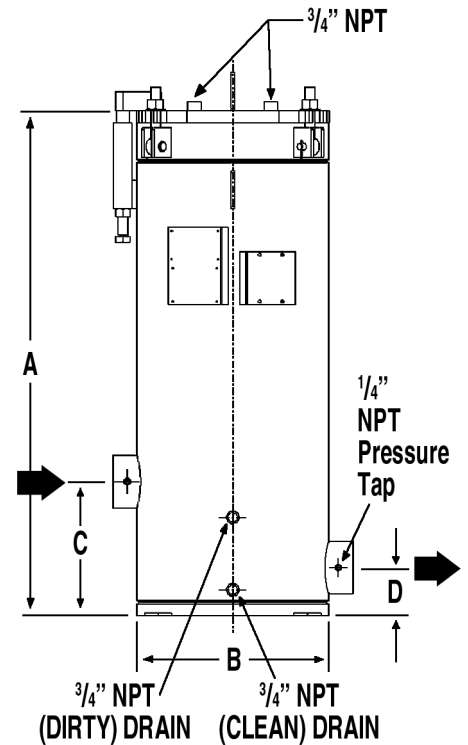
VF166C Housing with six
FO-718PL05 Cartridges



VF2012C Housing with twelve
FO-718PL05 Cartridges

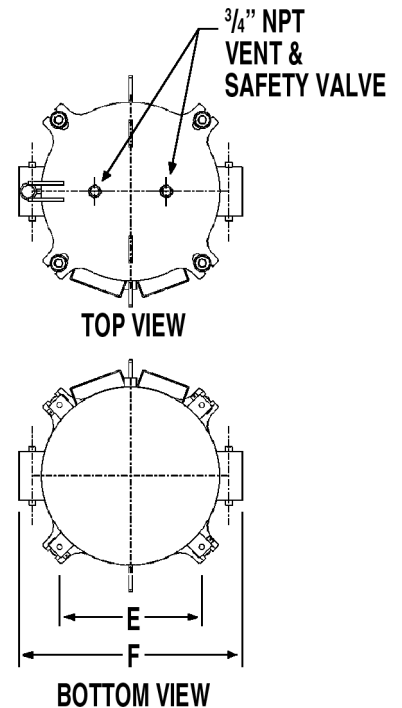
DIMENSIONS

Housing	VF166C	VF2012C
Inlet/Outlet	3" NPT	4" NPT
A	47¼" (120 cm)	52¾" (134 cm)
B	16" (40.6 cm)	20" (50.8 cm)
C	11" (27.9 cm)	14" (35.6 cm)
D	4" (10.2cm)	5" (12.7 cm)
E	13" (33 cm)	16" (40.6 cm)
F	20" (50.8 cm)	25" (63.5 cm)
Volume	38 gal (144 L)	65 gal (246 L)
Vessel Weight – empty	355 lbs (140 kg)	592 lbs (270 kg)
Shipping Weight	405 lbs (160 kg)	642 lbs (292 kg)
Number of Standard Cartridges	6	12
Lid Gasket – Buna-N	G-2033	G-2027



ORDERING INFORMATION (Specify)

Housing	VF166C150
	VF2012C150
	ASME Code Stamp – Specify if Required
Cartridge Types (not included with housing)	FO-718PL Series Pleated Media
	FO-618 FGA Series Fiberglass Depth Media
	FOS-618/718 Series Synthetic Media Pleated Cartridges
	LA-61801B Fullers Earth Media
	AC-718 Series Aquacon ® Water Absorbing Media Cartridge
	SD-718 Series Superdri ® dissolved water removal cartridges
Recommended Spares	1 Set of Spare Filter Cartridges
	1 Lid Gasket
Accessories	#120-H Differential Pressure Gauge
	VF166CI50EPX Internal Epoxy Coating
	G-2033A (VF166C150) Viton Lid Gaskets
	G-2027A (VF2012C150)



Obtain Certified Drawing
before pouring slab

Velcon products are sold and serviced by a world-wide representative network. To order, contact Headquarters or your LOCAL REPRESENTATIVE:

COMPANY HEADQUARTERS:
Velcon Filters, LLC
1210 Garden of the Gods Road
Colorado Springs, CO 80907-3410
Phone: 1.800.531.0180 / 1.719.531.5855
Fax: 719.531.5690
e-mail: vfsales@velcon.com
www.velcon.com

MANUFACTURING PLANTS LOCATED AT:
Colorado Springs, Colorado
Sylacauga, Alabama
Henryetta, Oklahoma

OFFICES AND AFFILIATES IN:
Canada, Germany, Singapore, & Spain



**Liquid Filtration
and Separation
Specialists**