



Replacement Cartridges for Vel-Max[®] Housings

O Series Coalescer and SO Separator Remove Water and Dirt from Diesel, Jet Fuel and Avgas

- Reduces free and emulsified water to less than 50 ppm in diesel, and less than 15 ppm in jet fuel/avgas.
- Used in place of **Aquacon[®]** cartridges for continuous removal of free water
- For use in the Velcon Vel-Max[®] housings

DESCRIPTION

The Velcon coalescer and separator are installed together in the Vel-Max[®] housing to remove water and dirt from fuel. The fuel passes from the outside to the inside through the coalescer. Dirt is filtered out of the fuel and free/emulsified water in fuel is coalesced. The coalesced water droplets, which form on the inside of the coalescer, are repelled from going further down-stream by the separator. The water settles down to the sump where it is manually drained.



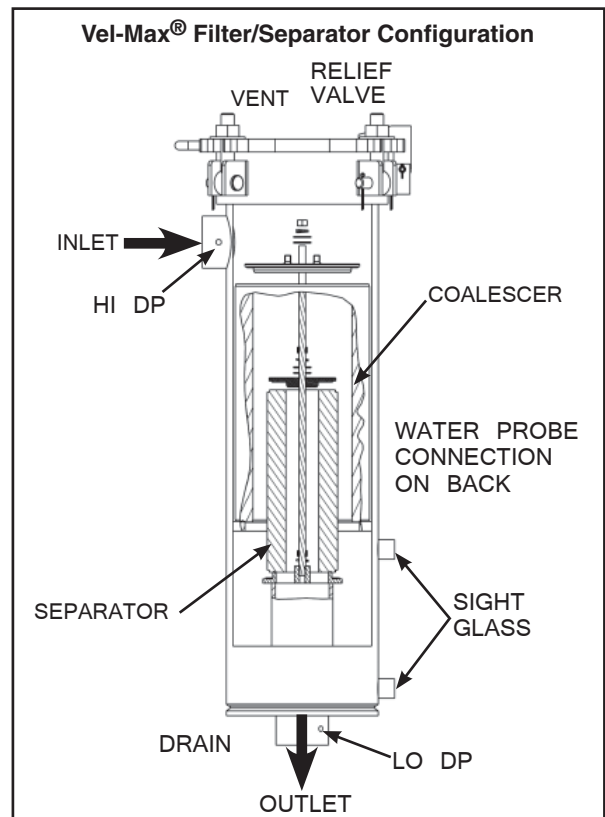
O-81588 and SO-415VX5 Separator

SPECIFICATIONS

- Maximum Operating Temperature is 160°F / 71°C
- Flow direction: outside to inside
- pH range: 5 to 9
- Coalescer Changeout at 15 psid

MAXIMUM RECOMMENDED FLOW RATES

Housing with Cartridges	Jet		Avgas		Diesel	
	gpm	lpm	gpm	lpm	gpm	lpm
VX-1	37	140	55	208	25	95
VX-2	75	284	100	378	50	189
VX-3	112	424	168	636	75	284



For more information on the Vel-Max[®] Filter Vessel please refer to data sheet #1961.

Cartridge Selection Tables for Vel-Max® Housings

Jet & Avgas Applications

Housing	Cartridge	Model #	Micron Rating	Dimensions (Inches)		
				OAL	ID	OD
VX-1	Coalescer	O-81588	0.5	15.0	5.625	7.625
	Separator	SO-415VX5	N/A	15.0	1.875	4.0
VX-2	Coalescer	O-83088	0.5	30.0	5.625	7.625
	Separator	SO-430VX5	N/A	30.0	1.875	4.0
VX-3	Coalescer	O-84488	0.5	44.0	5.625	7.625
	Separator	SO-444C	N/A	44.0	1.875	4.0

Diesel Applications

Housing	Cartridge	Model #	Micron Rating	Dimensions (Inches)		
				OAL	ID	OD
VX-1	Coalescer	O-8150	25	15.0	5.625	7.625
	Coalescer	O-8152	5			
	Coalescer	O-8154	3			
	Coalescer	O-8156	2			
	Separator	SO-415PL	N/A	15.0	1.875	4.0
VX-2	Coalescer	O-8300	25	30.0	5.625	7.625
	Coalescer	O-8302	5			
	Coalescer	O-8304	3			
	Coalescer	O-8306	2			
	Separator	SO-430PL	N/A	30.0	1.875	4.0
VX-3	Coalescer	O-8440	25	44.0	5.625	7.625
	Coalescer	O-8442	5			
	Coalescer	O-8444	3			
	Coalescer	O-8446	2			
	Separator	SO-444PL	N/A	44.0	1.875	4.0

NOTES:


1. If converting from Velcon's **Aquacon**® water absorbing cartridges to coalescer/separator cartridges, please order **Part Number EA35** end seal plate.
2. Separators used for jet fuel and avgas applications (SO-4xxVX5) are Teflon®-coated and can be cleaned and re-used. See data sheet #1242 for cleaning and maintenance instructions.
3. Separators used for diesel applications (SO-4xxPL) are made with pleated media. Changeout at 15 psid.

For information on other types of Velcon filter cartridges that can be used in the Vel-Max® Housing, see below and corresponding data sheet as marked.

Type		1-High	2-High	3-High	Data Sheet #
Micronic Filter Cartridges	Pleated Paper	FO-614PLFxx*	FO-629PLFxx	FO-644PLFxx	1549
	Fiberglass Depth	FO-614FGxx	FO-629FGxx	FO-644FGxx	1550
Aquacon ® Cartridges	Jet Fuel/Avgas	ACO-61401L	ACO-62901L	ACO-64401L	1681
	Gasoline	AC-61405	AC-62905	AC-64405	1582
	Diesel	AD-61425	AD-62925	AD-64425	1655
CDF®	Jet Fuel	CDF-215N	CDF-230N	N/A	1962

*The suffix "x" or "xx" on the part number denotes the micron rating of the cartridge.

Example: FO-614PLF5 is a 5 micron filter.



Velcon products are sold and serviced by a world-wide representative network. To order, contact Headquarters or your **LOCAL REPRESENTATIVE**:

COMPANY HEADQUARTERS:
 Velcon Filters, Inc.
 1210 Garden of the Gods Road
 Colorado Springs, CO 80907-3410
 Phone: 1.800.531.0180 / 1.719.531.5855
 Fax: 719.531.5690
 e-mail: vfsales@velcon.com
 www.velcon.com

MANUFACTURING PLANTS LOCATED AT:
 Colorado Springs, Colorado
 Sylacauga, Alabama
 Henryetta, Oklahoma

OVERSEAS AFFILIATES:
 Frankfurt/M., Germany & Singapore

**Liquid Filtration
 and Separation
 Specialists**