

Single and Double Element Housings

FEATURES

- 150 psi maximum operating pressure
- Carbon steel construction
- Positive seal tie-rod cartridge mounting
- Six types of cartridge media available
- 2" NPT connections
- Painted exterior; oil-coated interior

DESCRIPTION

- VF81C – a single element housing designed in accordance with the ASME code
- VF82C – a double element housing designed in accordance with the ASME code.
- VF82B – a non-code design that holds two cartridges.

VF8 Series vessels accommodate **Aquacon**[®] super absorbent or other special purpose filter cartridges. Refer to "Cartridge Types" listed on the reverse side of this sheet.

APPLICATIONS

Hydraulic Oil	Kerosene
Insulating Oil	Gear Oil
Diesel Fuel	Quench Oil
Lube Oil	Vacuum Pump Oil
Coolant	Turbine Oil
Cutting Oil	Cooling Water
Synthetic Oil	Transformer Oil
Gasoline	



VF81C

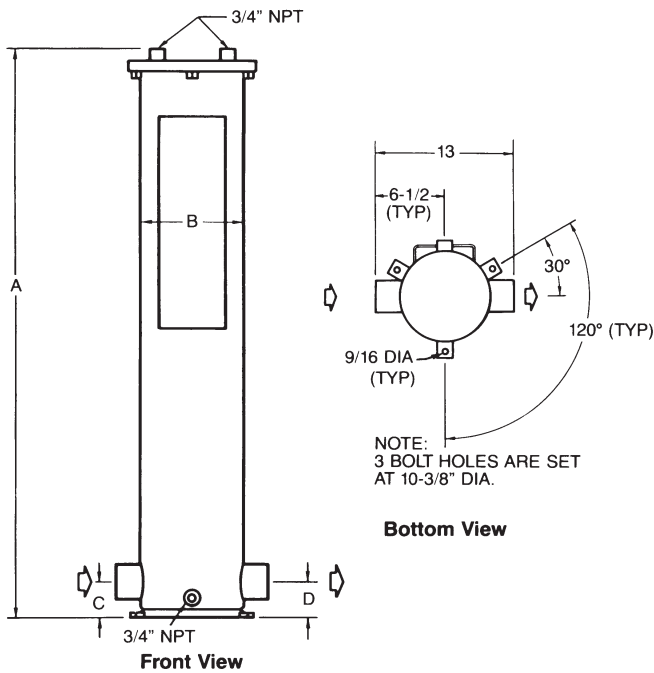
VF82B

VF82C

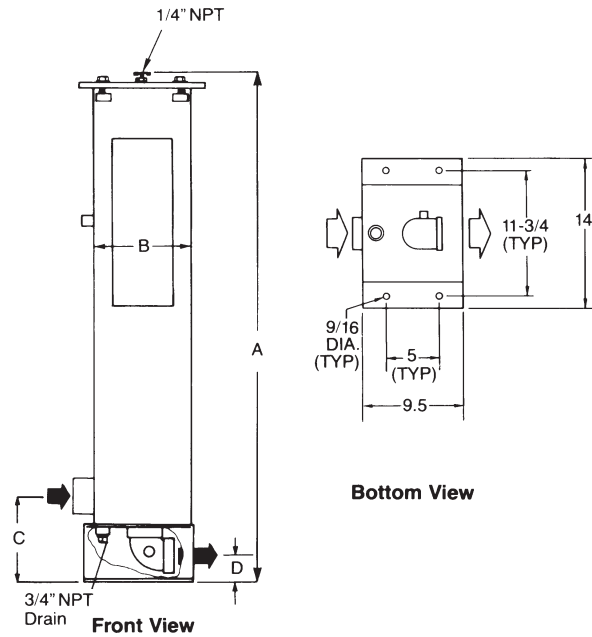
DIMENSIONS

Housing	VF81C	VF82C	VF82B
Inlet/Outlet	2" NPT	2" NPT	2" NPT
A	31.5" (80 cm)	48.5" (123.1 cm)	44" (111.8 cm)
B	8.6" (21.9 cm)	8.6" (21.9 cm)	8.6" (21.9 cm)
C	3" (7.6 cm)	3" (7.6 cm)	7.5" (19 cm)
D	3" (7.6 cm)	3" (7.6 cm)	2.5" (6.3 cm)
Volume	6 gal (22.7 l)	10 gal (37.9 l)	9 gal (34 l)
Vessel Weight – Empty	90 lbs (40.8 kg)	118 lbs (53.5 kg)	86 lbs (39 kg)
Shipping Weight	110 lbs (49.9 kg)	138 lbs (62.6 kg)	106 lbs (48 kg)
Number of Standard Cartridges	1	2	2
Lid Gasket – Buna-N	G-1045	G-1045	G-1045

VF81C and VF82C



VF82B



ORDERING INFORMATION (Specify)

Housing (Add -EPX for Internal Epoxy Coating)	VF81C150 (ASME Code Design) VF82C150 (ASME Code Design) VF82B150 (Non-ASME Code Design) ASME Code Stamp – Specify if Required
Cartridge Types (not included with housing)	FO-718PL Series Pleated Synthetic Media FOS-618PL Series Pleated Media FO-618FGA Series Fiberglass Depth Media LA-61801B Fuller's Earth Media AC-718 Series Aquacon Free Water-Absorbing Media SD-718 Superdri ® Dissolved Water Removal Media

Recommended Spares	6 Spare Filter Cartridges 1 Lid Gasket
Accessories	#120-A Direct Reading Gammon Gauge, piston type #120-F Differential Pressure Gauge G-1045A Viton Lid Gasket



Velcon products are sold and serviced by a world-wide representative network. To order, contact Headquarters or your LOCAL REPRESENTATIVE:

COMPANY HEADQUARTERS:
Velcon Filters, Inc.
1210 Garden of the Gods Road
Colorado Springs, CO 80907-3410
Phone: 1.800.531.0180 / 1.719.531.5855
Fax: 719.531.5690
e-mail: vfsales@velcon.com
www.velcon.com

MANUFACTURING PLANTS LOCATED AT:
Colorado Springs, Colorado
Sylacauga, Alabama

OVERSEAS AFFILIATES:
Frankfurt/M., Germany & Singapore

**Liquid Filtration
and Separation
Specialists**